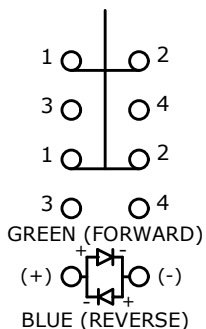
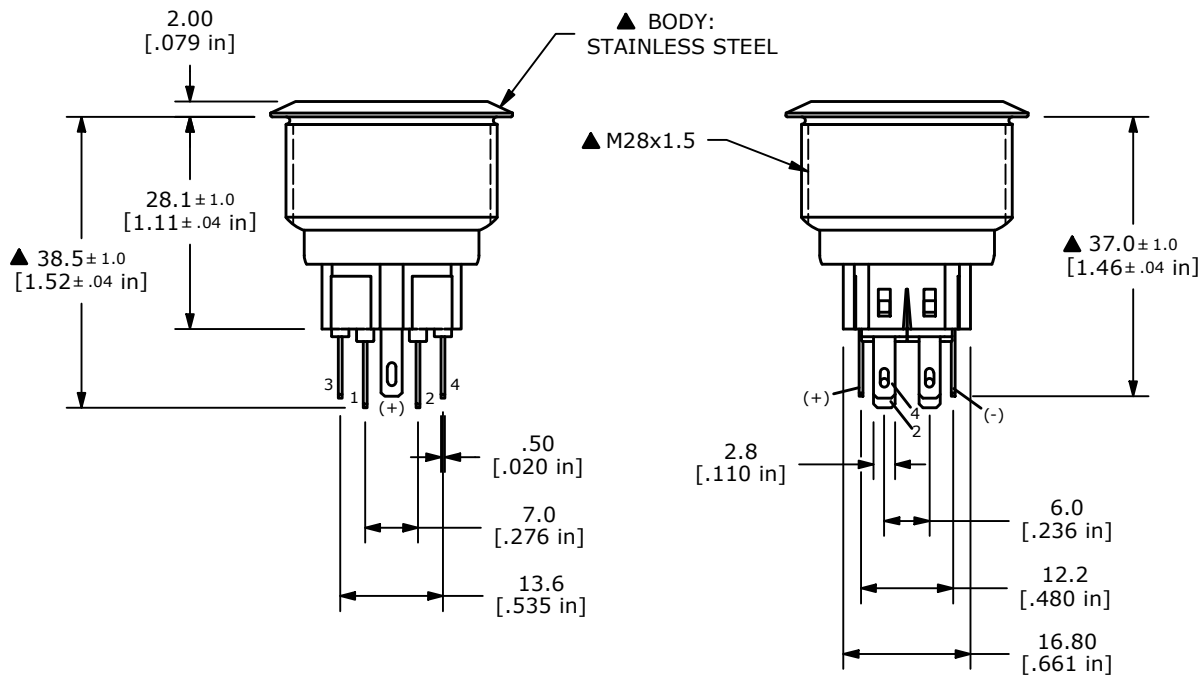


SWITCH FUNCTION	
POS. 1	POS. 2
1-2 ON 3-4 OFF	1-2 (OFF) 3-4 (ON)



() = MOMENTARY

▲ DPDT ON (OFF) / OFF (ON)
 CONTACT CONFIGURATION
 () DENOTES MOMENTARY



NOTE:

- ALL DIMENSIONS IN MM [INCH]
- GENERAL TOLERANCE: X.X = ± 0.4
X.XX = ± 0.25
- TERMINAL NOS. FOR REF. ONLY
- RATING: 2A @ 48VDC
- CONTACT RESISTANCE: 50mΩ MAX. @ 1A 12VDC
- INSULATION RESISTANCE: 1,000MΩ @ 500VDC
- DIELECTRIC STRENGTH: 2,000VAC MIN. FOR 1 MINUTE
- ELECTRICAL LIFE: 50,000 CYCLES
- OPERATING TEMPERATURE: -20°C TO 55°C
- INGRESS PROTECTION: IP66
- ▲ DENOTES CRITICAL PARAMETER
- ▲ SUPPLIED HARDWARE: O-RING AND HEXNUT
- ▲ ILLUMINATION COLOR: GREEN (FORWARD), BLUE (REVERSE)
- ▲ ILLUMINATION VOLTAGE: BASE VOLTAGE 2.8V FORWARD, 2.8V REVERSE

REV	PCR NO	DESCRIPTION	DATE	BY
C	24637	UPDATE THREAD LENGTH TO 15.0	12/10/20	JM
B	23839	UPDATED RATING TO IP66	4/8/19	MJR
A	22079	RELEASE FOR PRODUCTION	12/9/15	MW



TITLE PV9F2V0SS-3N1				
SCALE 1:1	DATE 12/9/2015	DR MW	DWG 52-PV9F2V0SS3N1	REV C